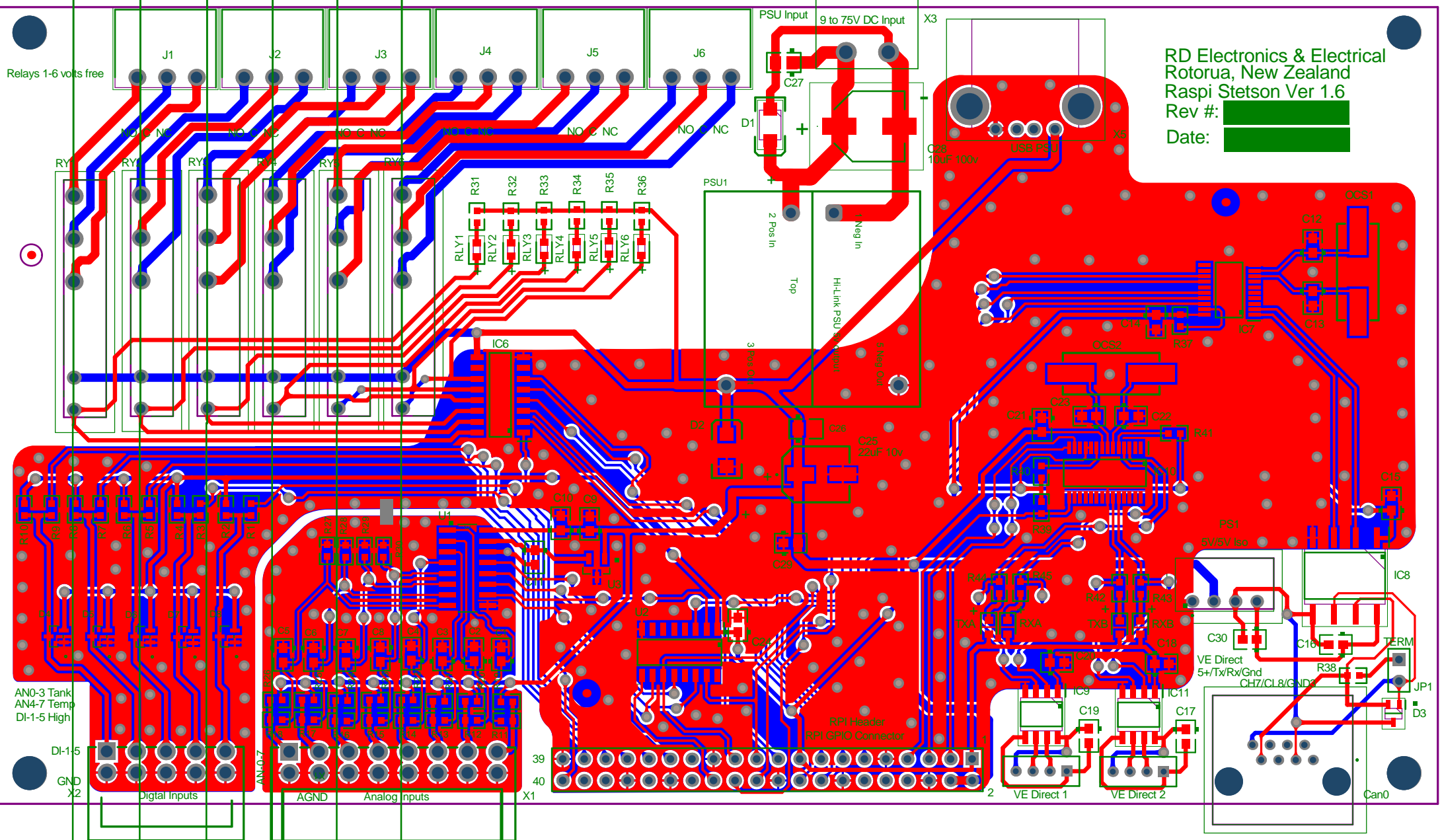


RD Electronics & Electrical
Rotorua, New Zealand
Raspi Stetson Ver 1.6
Rev #: XXXXXXXXXX
Date: XXXXXXXXXX



Relays 1-6 volts free

PSU Input 9 to 75V DC Input X3

PSU1

USB PSU X5

AN0-3 Tank
AN4-7 Temp
DI-1-5 High

DI-15
GND X2

Digital Inputs

AGND

Analog Inputs

RPI Header
RPI GPIO Connector

VE Direct 1

VE Direct 2

Can0

BOARD STACK REPORT