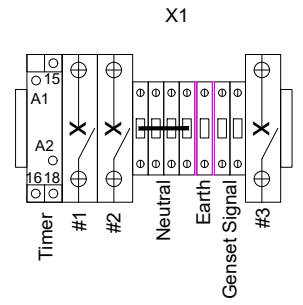


House Loads

AC loads
Dist board

Note:9
1phase



NOTES			
Timer	For genset Auto start control on grid	Tele E1Z1E10	Genset start timer control
#1	ATS Supply 1 voltage signal	6Amp MCB	
#2	ATS Supply 2 voltage signal	6Amp MCB	
Neutral	ATS control neutral	4mm2	
Earth	ATS Earth terminal	4mm2	
Genset Signal	Volts free genset start signal	2.5mm2	
#3	MCB protection E1-B	32-50Amp MCB	Depends on loads
Spacer plate	Segregation plate terminals		
ATS	125 Amp 2 pole	SGQ-N type	Smartgen
ATS Controller	ATS controller Auto/Man	HAT520N	Smartgen

N = Normal Grid
L = Load Supply
E = Inverter supply

E1-B = Emergency power supply
E2-B = Emergency power supply neutral
N1-A = Normal power supply
N2-A = Normal power supply neutral

Genset System ATS Switched Design

- NOTES:
- 1: Isolate AC1 output to input to house loads
 - 2: Transfer switch in auto mode will transfer power to the Dist SWB when grid fails. and transfer back to the grid when grid is restored.
 - 3: Neutral can't be broken from MEN link to house loads NZ3000 Wiring Rules.
 - 4: Genset or Grid Supply
 - 5: If genset installed wiring in Neutral to ATS E2-B if using Grid wire Neutral to grid MEN link. Depends on the inverter as well.
 - 6: Install genset protection in ATS
 - 7: Install power fail control ATS Teletimer for on grid Auto start only
 - 8: Teletimer models# E1Z1E10
 - 9: Genset or Inverter backup supply.

COPYRIGHT
RD Electronics & Electrical Ltd 2022

RD Electronics & Electrical
Engineering & Projects
11 Selwyn Rd, Rotorua, 3010
New Zealand
Ph 07 346043
MOB 0272898824

PROJECT

GENERAL GENSET ATS

CLIENT

DRAWING TITLE

GENSET ATS SYSTEM
ATS SWITCHED SYSTEM
GRID APPLICATIONS

DESIGN:	Rob Duthie		
DRAWN:	RD		
CHECKED:			
APPROVED:			
DRG DATE:	29/09/2022		
DRG No:			
REVISION:	Rev1.0		
PROJECT NUMBER:			
SHT No:	0	SCALE:	NTS
SHEET:	A4	UNITS:	MM

REV	DESCRIPTION	DATE