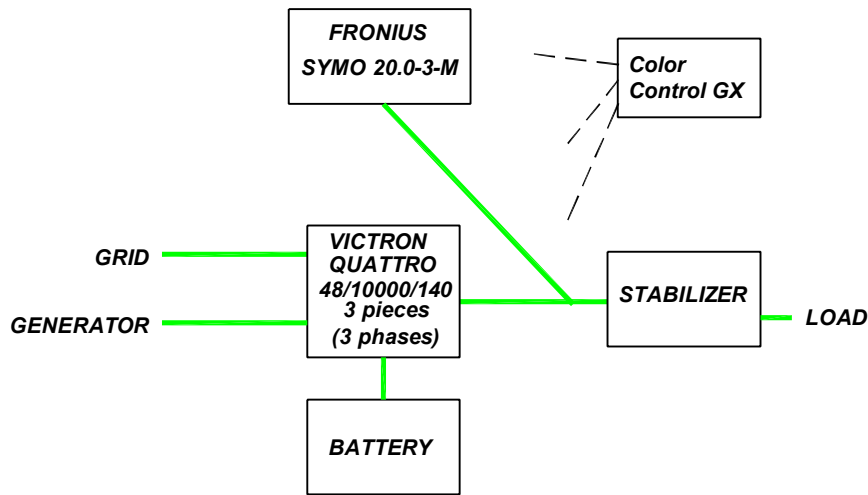


Scheme of the installed system with failures



A stabilizer is required due to poor grid voltage.

1) Condition:

Grid is present, Solar generation 18 kW, load = minimum power, BATTERY=90%.

Failures:

If the network disappears, load failures sometimes occur.

These failures are not recorded in the log file VICTRON or ESS.

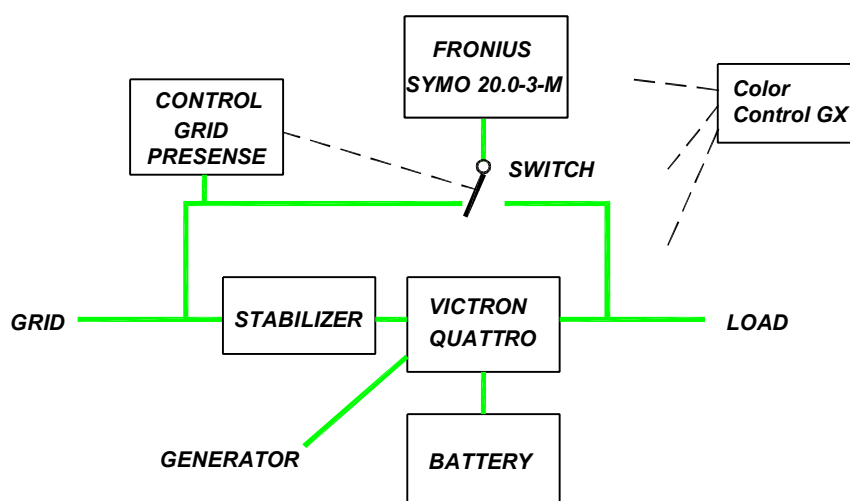
2) Condition:

Grid is not present, Solar generation 0 kW, Battery = low, load = Motor, GENERATOR = enabled.

Failures:

Phase synchronization failures at generator connection

Scheme of the system with alternative connection



The ESS is programmed to permanently connect FRONIUS to VICTRON output.

Will the system work correctly when connecting FRONIUS to the grid?