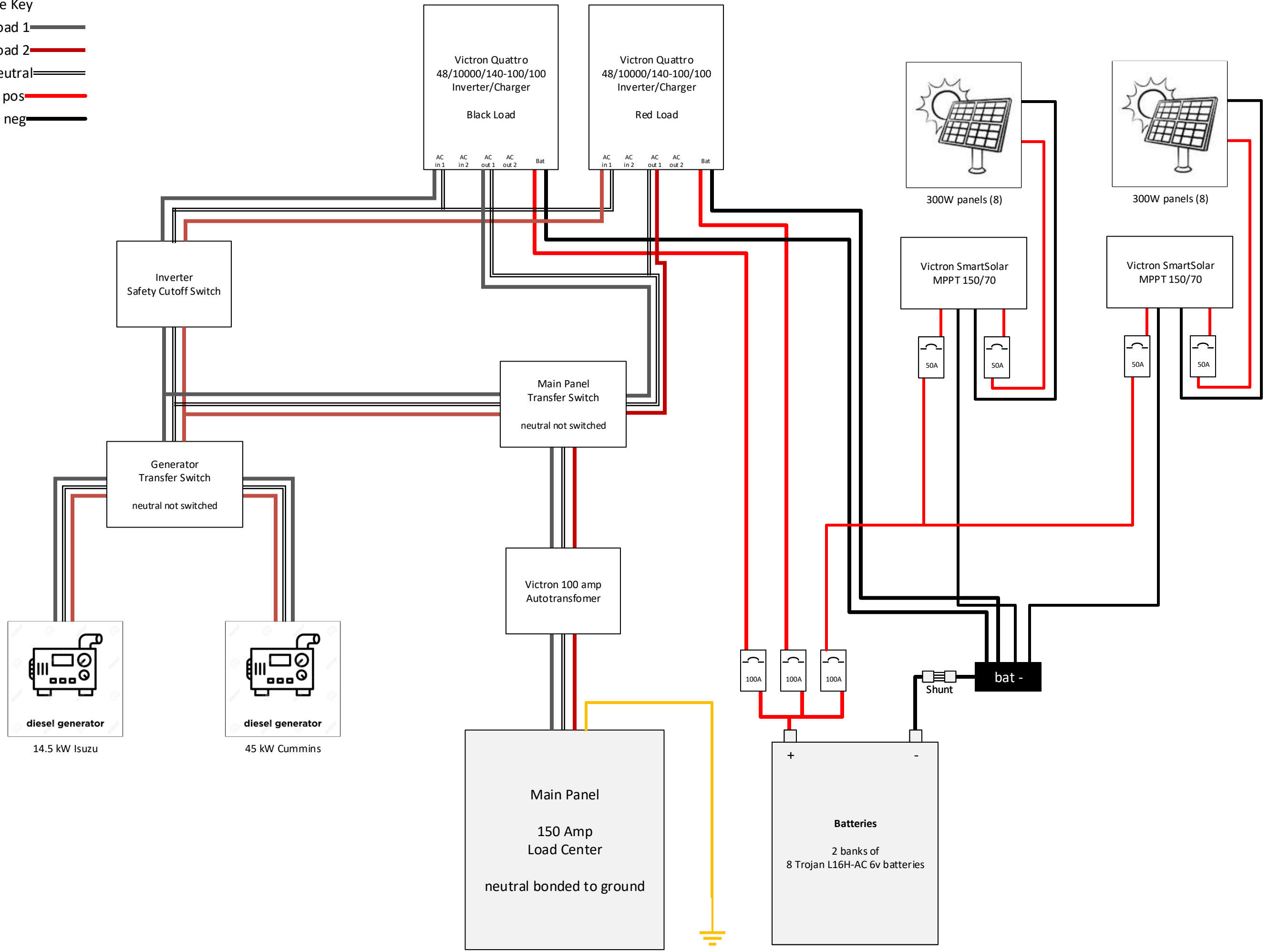


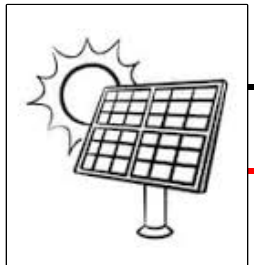
Wire Key

- AC Load 1
- AC Load 2
- AC Neutral
- 48V pos
- 48V neg

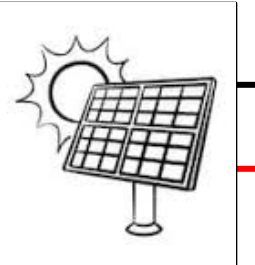


Victron Quattro  
48/10000/140-100/100  
Inverter/Charger  
Black Load

Victron Quattro  
48/10000/140-100/100  
Inverter/Charger  
Red Load



300W panels (8)



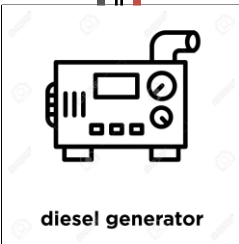
300W panels (8)

Inverter  
Safety Cutoff Switch

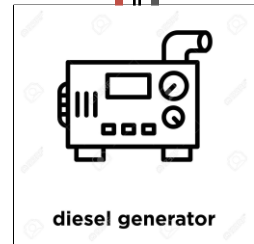
Main Panel  
Transfer Switch  
neutral not switched

Generator  
Transfer Switch  
neutral not switched

Victron 100 amp  
Autotransformer



diesel generator  
14.5 kW Isuzu



diesel generator  
45 kW Cummins

Main Panel  
150 Amp  
Load Center  
neutral bonded to ground

Batteries  
2 banks of  
8 Trojan L16H-AC 6v batteries

Shunt  
bat -

100A  
100A  
100A

50A

50A

50A

50A