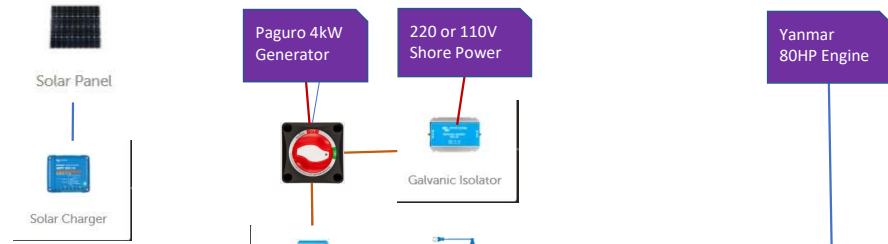


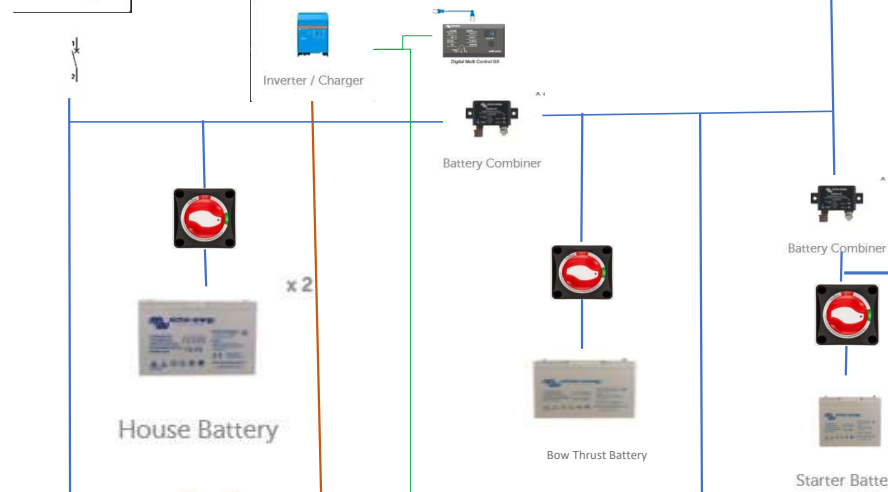
GENERATION



Legend:



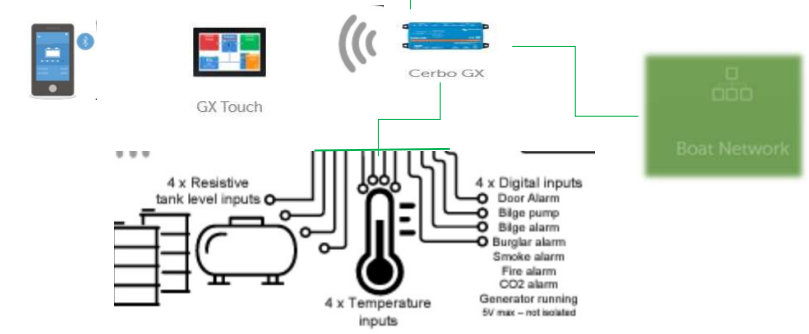
STORAGE & CONVERSION



CONSUMPTION



MONITORING & CONTROL



Components	Model	Victron Part Numbers
Inverter/Charger:	MultiPlus 12/3000/120/50	PMP123021010
Isolation Tx:	3600W 115/230	ITR040362041
Solar Charger:	Smart Solar MPPT 150/70-MC4	SCC115070310
DMC GX	Digital Multi Control GX	DMC000200010R
Battery Combiner	Cyrix - LI - CT Smart 230A	CYRO010230010
Smart Shunt	Smart Shunt 500A/50mV	SHU050150050
Cerbo GX	Cerbo GX	BPP900450100
GX Touch	GX Touch 50	BPP900455050
GX Tank	GX Tank 140?	BPP920140100

Victron Interfaces

With NMEA 2000	VE.Bus to NMEA2000 interface	ASS030520110
With mobile devices	VE.Direct Bluetooth Smart dongle	ASS030536011

