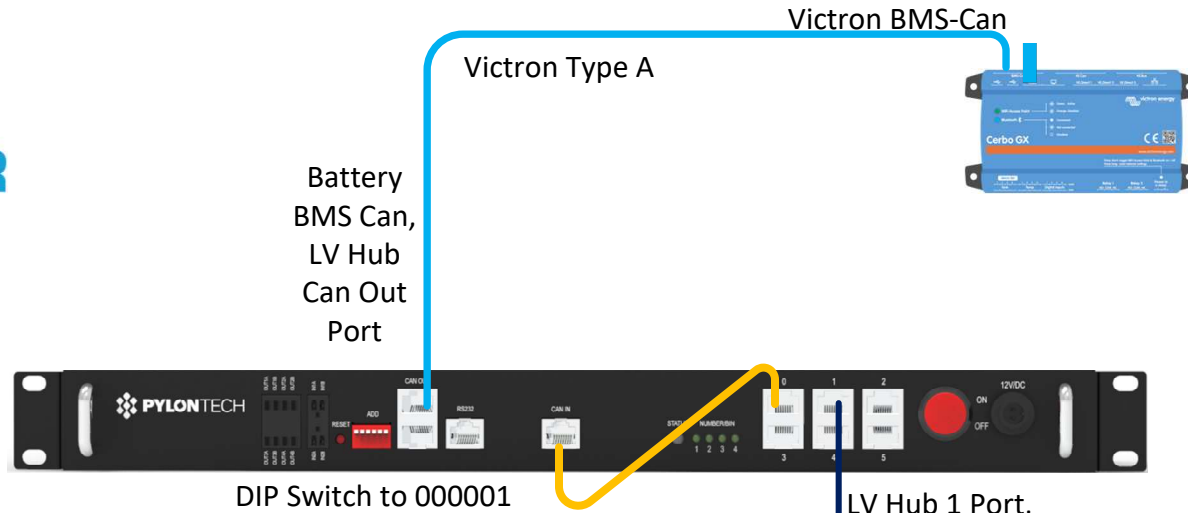


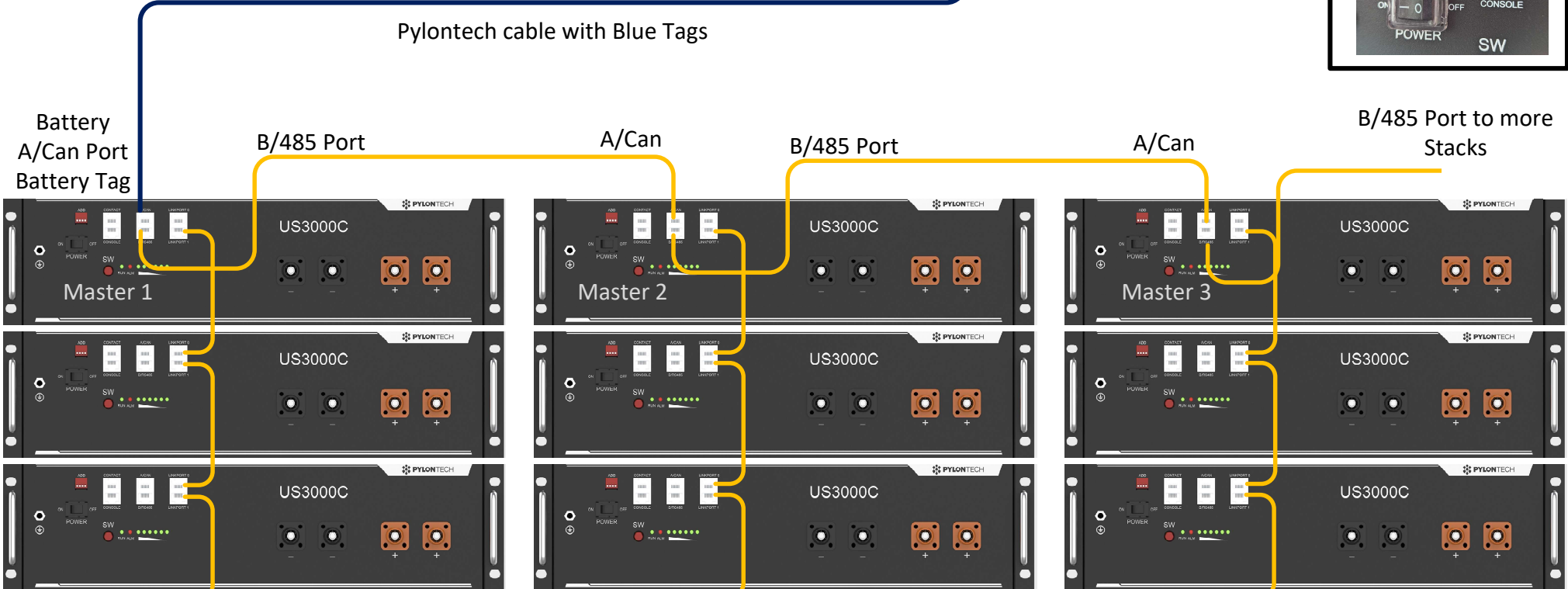


Pylontech
LV Hub CAN-Bus
Connections



All battery Switches in up Position, to connect Masters

Switch #2 Down after power up and beeps, Master #1 only



●
● Up to (16)
●

●
● Up to (16)
●

●
● Up to (16)
●