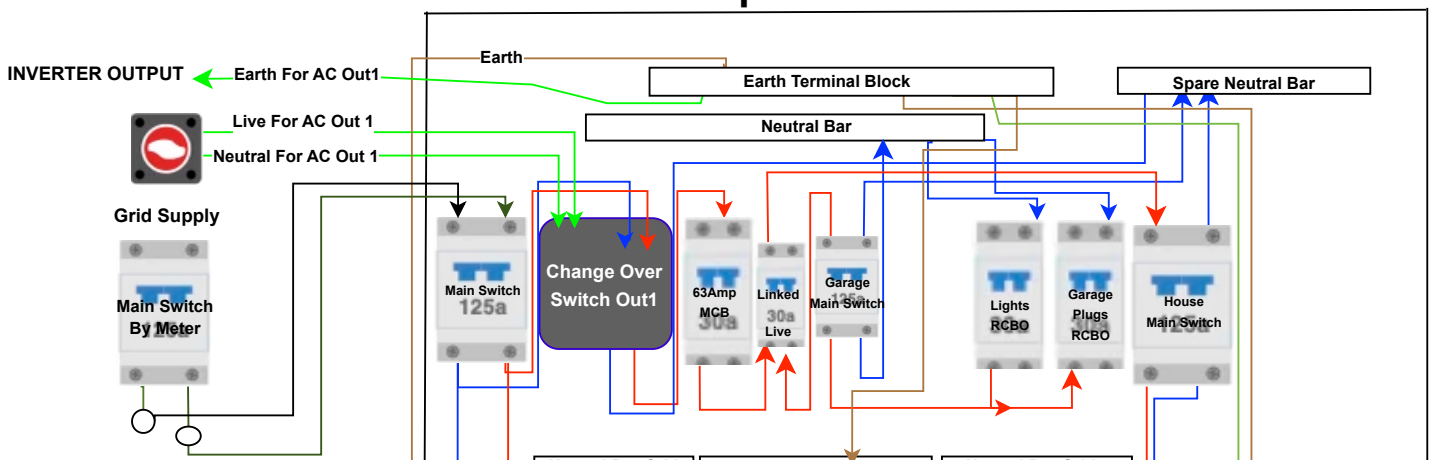
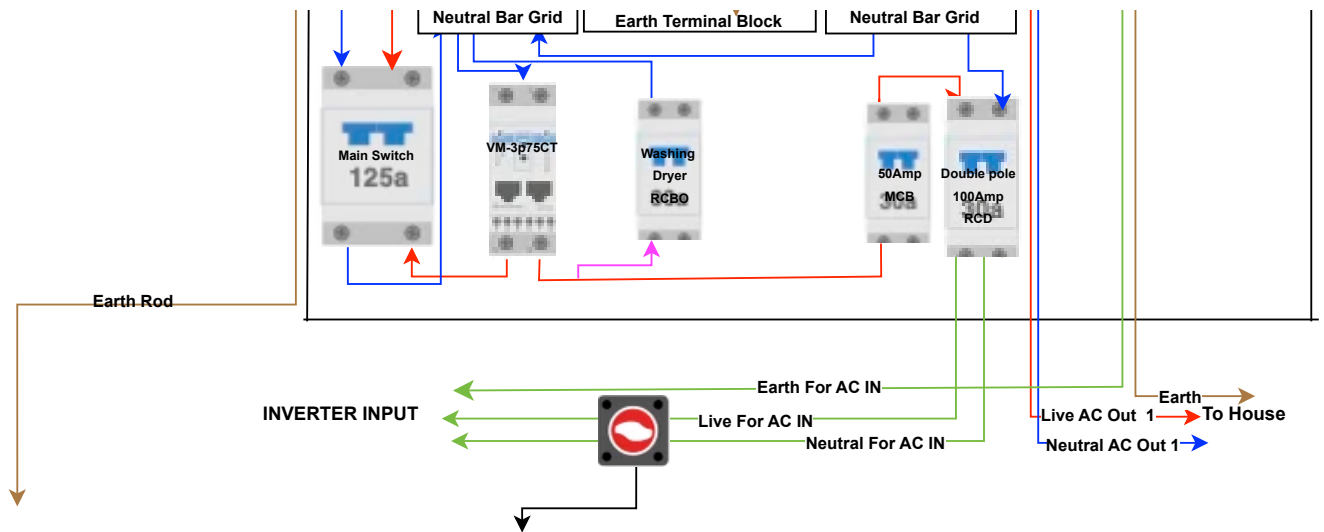


Legend:

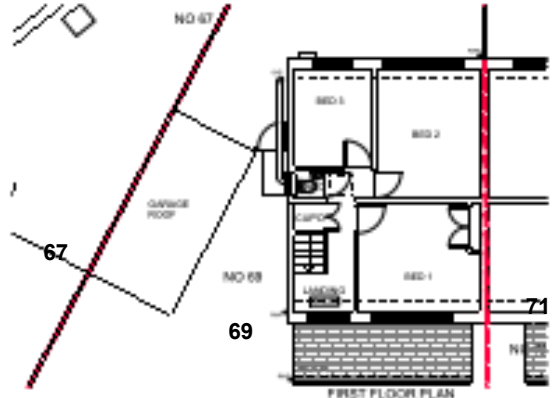
- Green = live & neutral Coming from the grid to CU Via isolation switch wired to Washing Machine and Dryer
 - Light Green = AC IN via a 50 Amp MCB to a 100 Amp double pole RCD which goes to a Double Pole Lockable Rotary Isolator then to Victron Multiplus2 48/5000
 - Pink = Washing Machine and Dryer wired through 32Amp RCBO only connected to grid side
 - Neon Green = Victron AC Out1 to lockable isolator then to changeover switch then to 63 Amp MCB wired to Garage isolation switch and then to House isolation switch
 - Brown = New earth via earth rod to Garage, House CU and Victron Multiplus2 48/5000
 - Dark Blue = Grid Neutral with Red = Grid Live
 - Orange = Solar PV output to energy meter via existing PV RCBO then back to Victron AC Out1 to via 63 Amp MCB though changeover switch back to Victron Multiplus2 48/5000
 - Light Blue = Victron Communication Link
 - Black = Battery Negative to Isolation Switch then to Victron Multiplus2 48/5000 via Lynx Power IN
 - Red = Battery Positive to Isolation switch then to Victron Multiplus2 48/5000 via Lynx Power IN
- Whole Site limited to 4.4kW of the multiplus2 48/5000 as AC coupled PV runs through the Multiplus2 so can not export more than 4.4kW even with even battery storage**

Duplex Consumer Unit

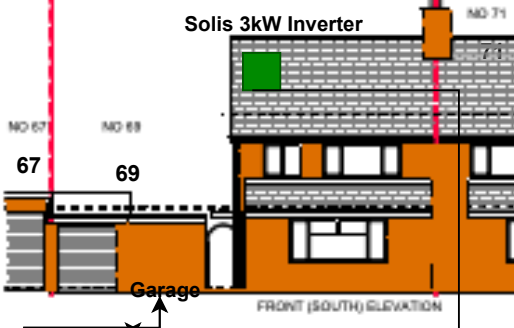
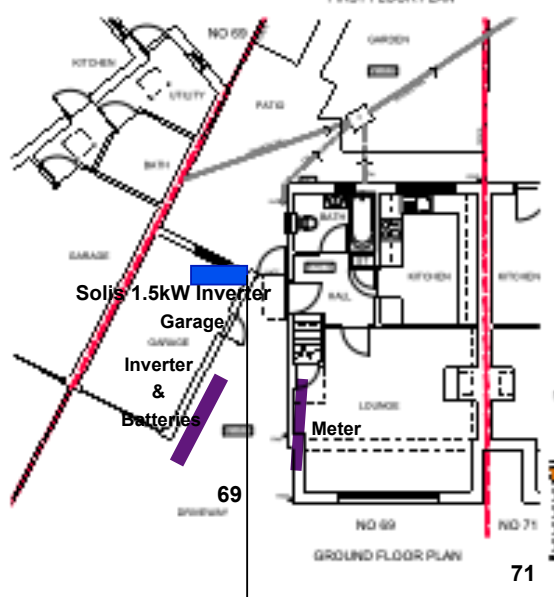




Locable Double pole Rotary Isolation Switch



©Verdi Architecture Ltd 2023
 No liability is accepted for any consequences of these conditions unless specifically stated otherwise and no responsibility or liability shall be accepted for any loss or damage caused by any person or persons acting in reliance on these conditions.
 The drawings are the property of Verdi Architecture Ltd and shall remain the property of Verdi Architecture Ltd. No part of these drawings may be reproduced or transmitted in any form or by any means electronic, mechanical, photocopying, recording, or by any information storage and retrieval system, without the prior written permission of Verdi Architecture Ltd.



Project Name	
Client Name	
Address	
Site Name	
Project No	
Scale	
Drawn By	
Checked By	
Date	
Project Status	
Project Location	
Project Description	
Project Reference	
Project Notes	
Project Contact	
Project Email	
Project Phone	
Project Website	
Project Social Media	
Project Logo	
Project Footer	

- = Meter location under the stairs and inverter and Batteries in Garage
- = New Soilis 1.5kW Inverter
- = Existing Soilis 3kW Inverter