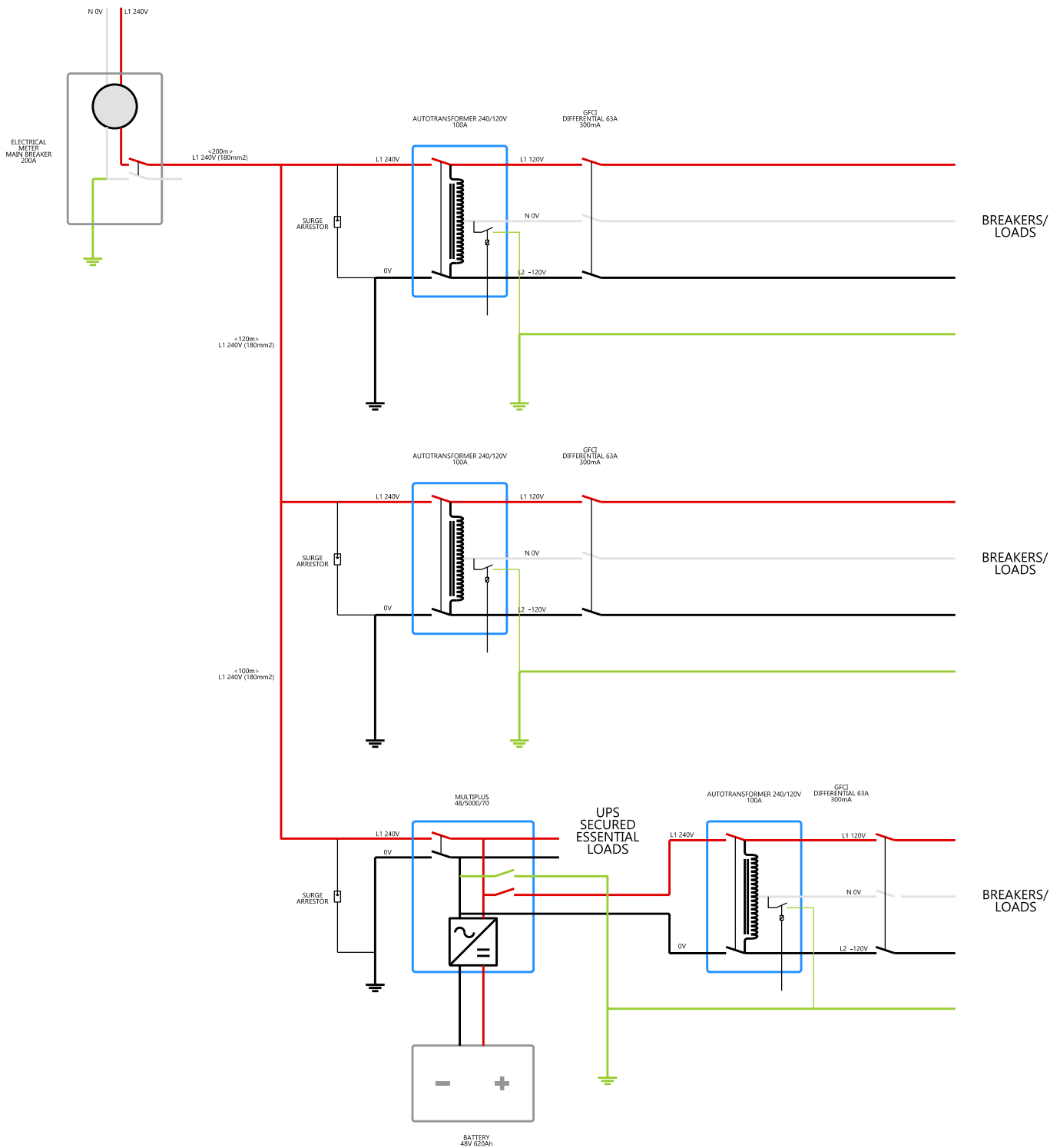


06. ELECTRICAL DIAGRAM MAIN POWER SUPPLY



120/240V POWER SUPPLY 60Hz

DETAIL 087

