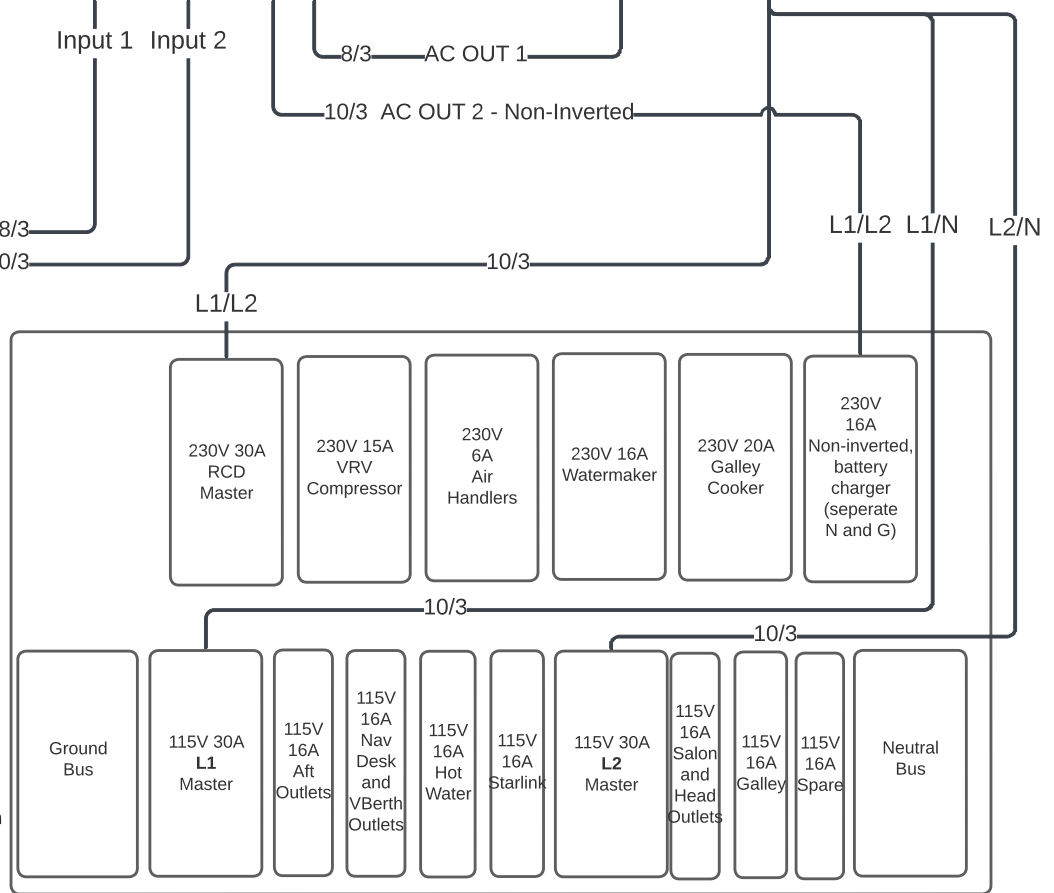
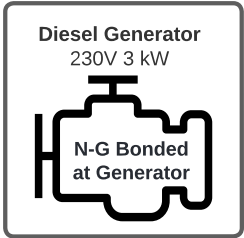
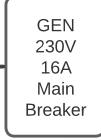
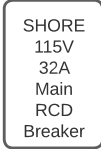
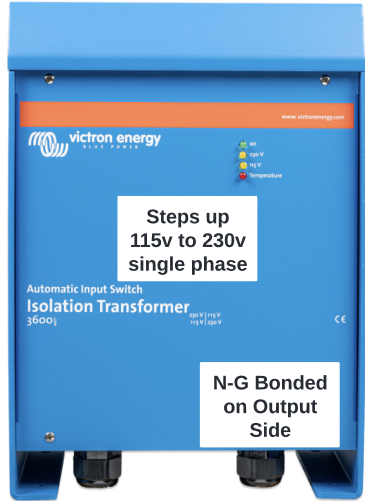
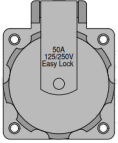


N-G Bonded at shore



N-G are NOT bonded in distribution panel