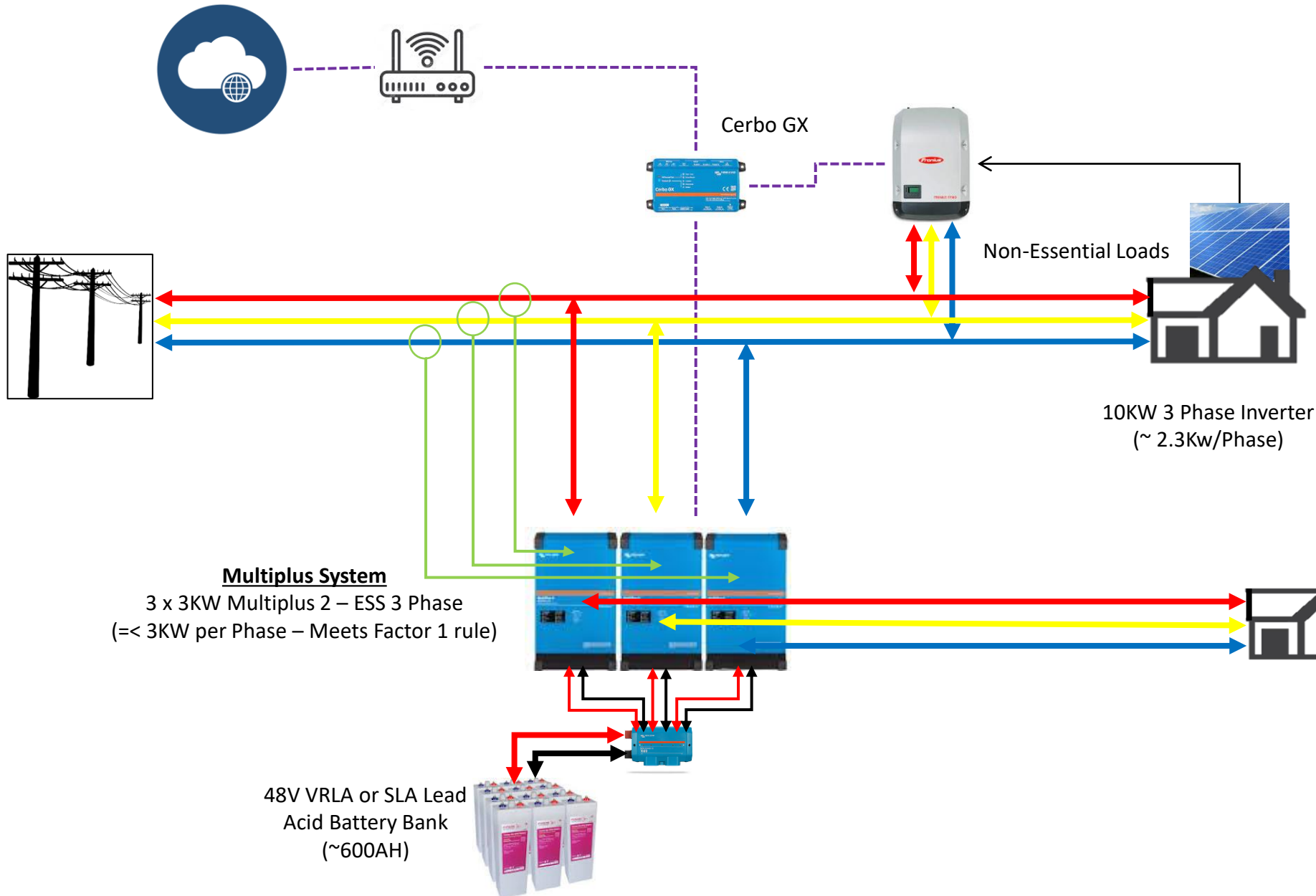


10KW 3 Phase Configuration - With Factor 1 Rule



Required Functionality – Multiplus System

PV Power – During the day

- PV powers house loads
- If excess power, charge battery
- If still excess power, feed in to Grid
- **Supply Output 1 & 2**

No PV Power or Insufficient

- Supplement PV with Battery to power house loads
- If Battery \leq SOC use mains
- **If batteries not 100% charged, use time of day mains charge of batteries**
- **Supply Output 1 & 2**

No Mains - Blackout

- Use PV to power house loads
- Supplement PV with Battery to power house loads until **LVD**.
- **Supply Output 2 ONLY**

Multiplus System
 3 x 3KW Multiplus 2 – ESS 3 Phase
 (= < 3KW per Phase – Meets Factor 1 rule)

Output 1 –
 Essential/Emergency
 Loads

48V VRLA or SLA Lead
 Acid Battery Bank
 (~600AH)