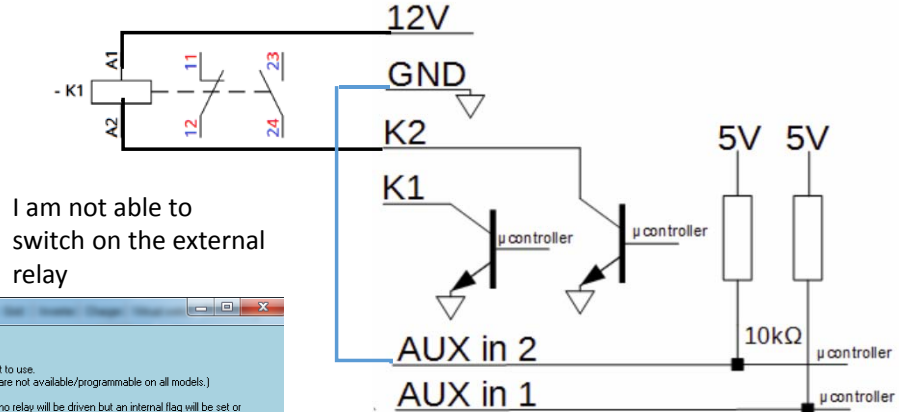
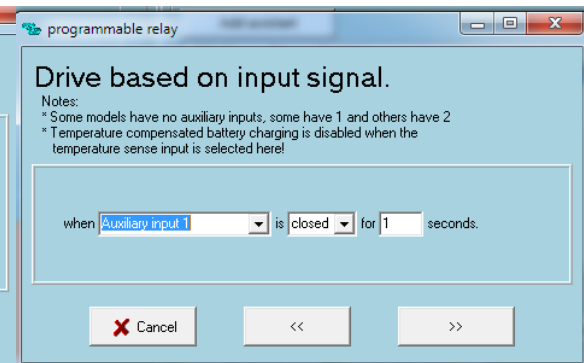
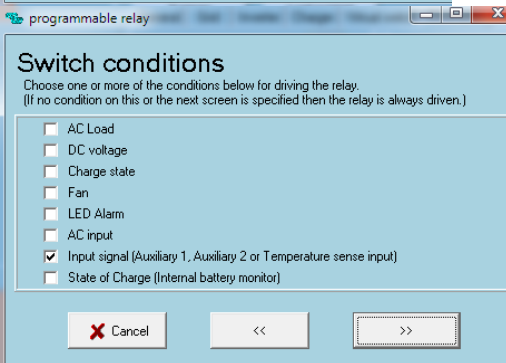
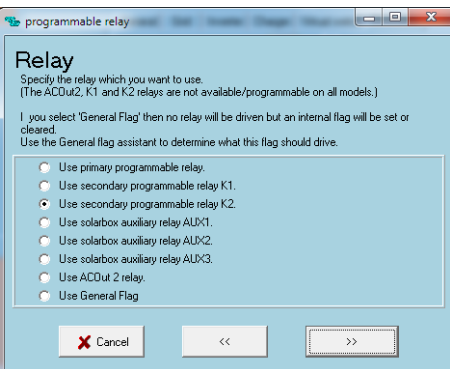


What is the correct wiring of AUX in so that Multiplus II will sense it ?

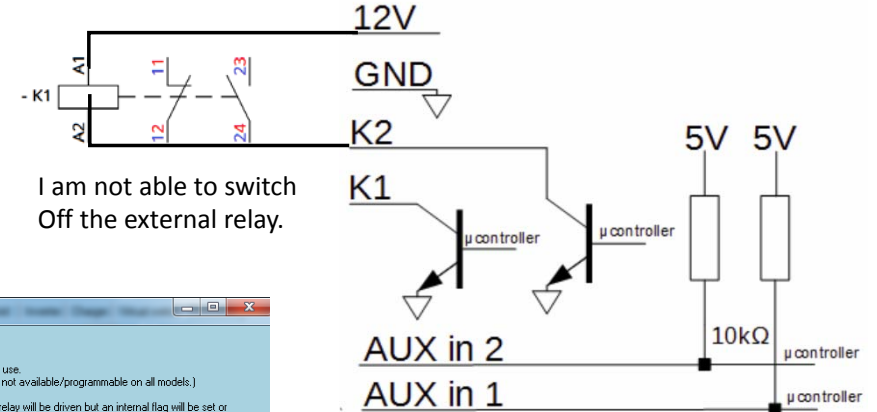
I want the relay K2 to switch ON based on „Auxiliary input 1“ „closed“, but it does not switch ON When I connect GND and AUX1



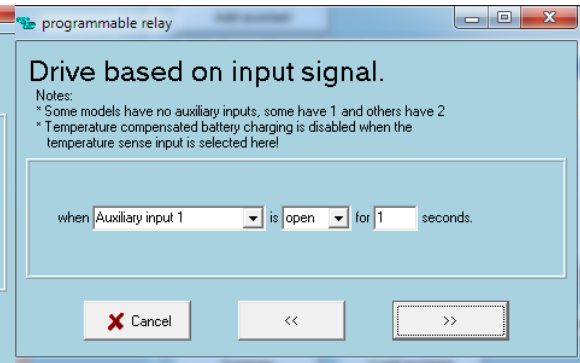
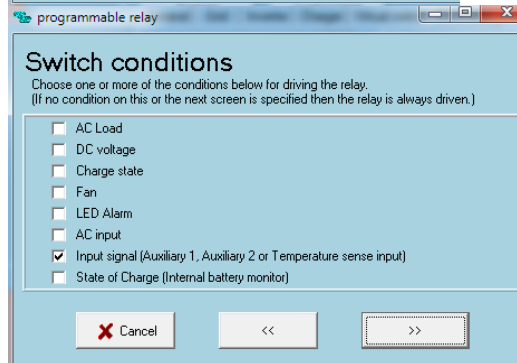
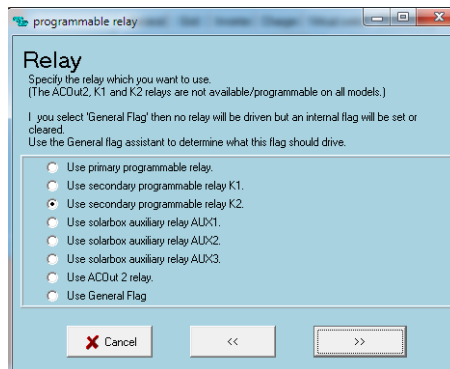
I am not able to switch on the external relay



Relay K2 is ON when switch condition is „Auxiliary input 1“ „open“. If I connect GND and AUX 1 nothing happens

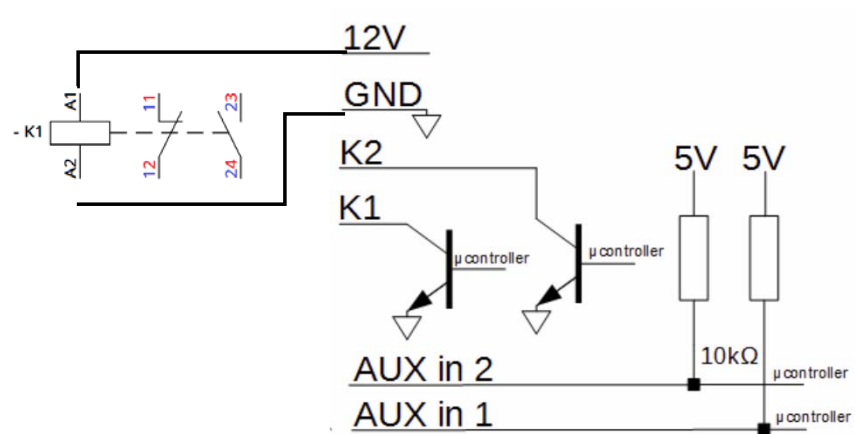


I am not able to switch Off the external relay.



Why is the connection below not working?

I would expect the external relay to be constantly switched ON, but it doesn't switch ON.



I can not use the connection below because there is a limit 100 mA for 12V pin. Is that correct ?

I just want to make sure that I cant use this connection and will have to find other way to do what I want.

