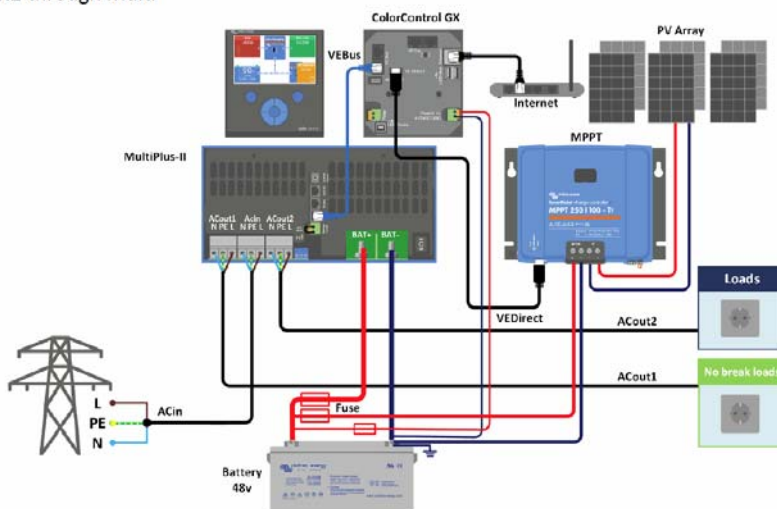


ESS DC PV  
ACout2 through Multi



*My set up is like in the picture above*