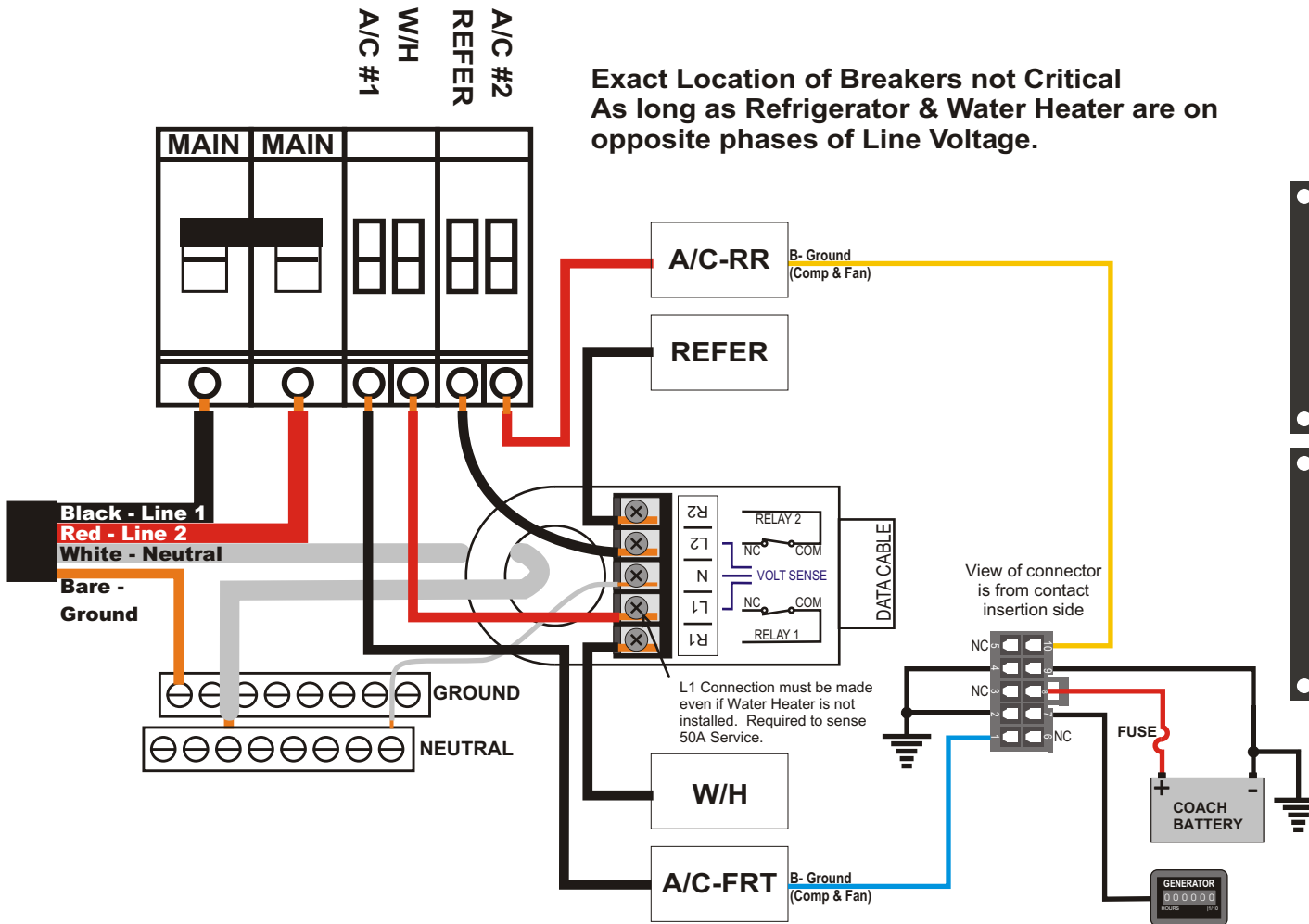


MINI POWER CONTROL SYSTEM

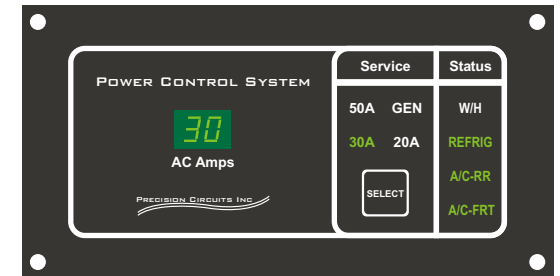
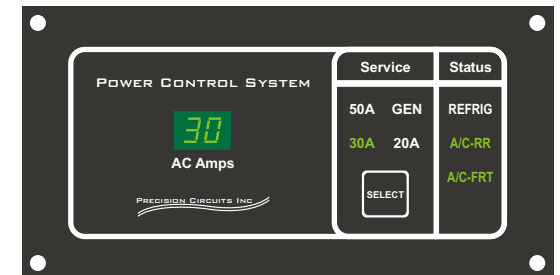


WINNEBAGO WIRING DIAGRAM REV E (Using Thermostat & Roof Aircs)

Exact Location of Breakers not Critical
As long as Refrigerator & Water Heater are on
opposite phases of Line Voltage.



Program Options:
Relay Shed Order:
2-Refrigerator
4-A/C-RR (Rear) Comp & Fan
3-A/C-FRT (Front) Comp & Fan
0-(4th Load not Shed)
50A Service = Enable Sleep Mode
Generator = Blank Display



Program Options:
Relay Shed Order:
1-Water Heater
2-Refrigerator
4-A/C-RR (Rear) Comp & Fan
3-A/C-FRT (Front) Comp & Fan
50A Service = Enable Sleep Mode
Generator = Blank Display